

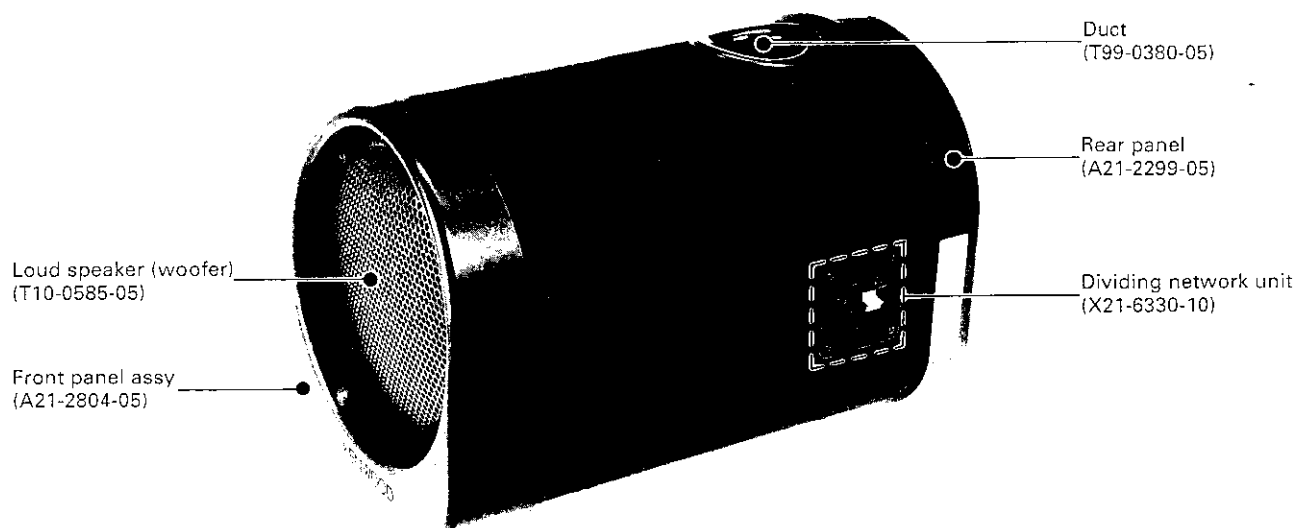
SUB WOOFER

KSC-W800

SERVICE MANUAL

KENWOOD

© 1993-3 PRINTED IN JAPAN
B51-6584-00(O) 1719



SPECIFICATIONS

System Sub-woofer system
Enclosure Bass-reflex type
Mounted speaker
Woofer 200 mm (8 inch) cone type
Impedance 4 ohms
Peak input power 200 watts
Rated input power 70 watts
Sensitivity 102 dB (watt in CAR)
84 dB (watt at 1 m)
Frequency response 39 Hz ~ 1500 Hz
Dimensions
Width 251.5 mm (9-7/8 inches)
Height 266.5 mm (10-1/2 inches)
Depth 400 mm (15-3/4 inches)

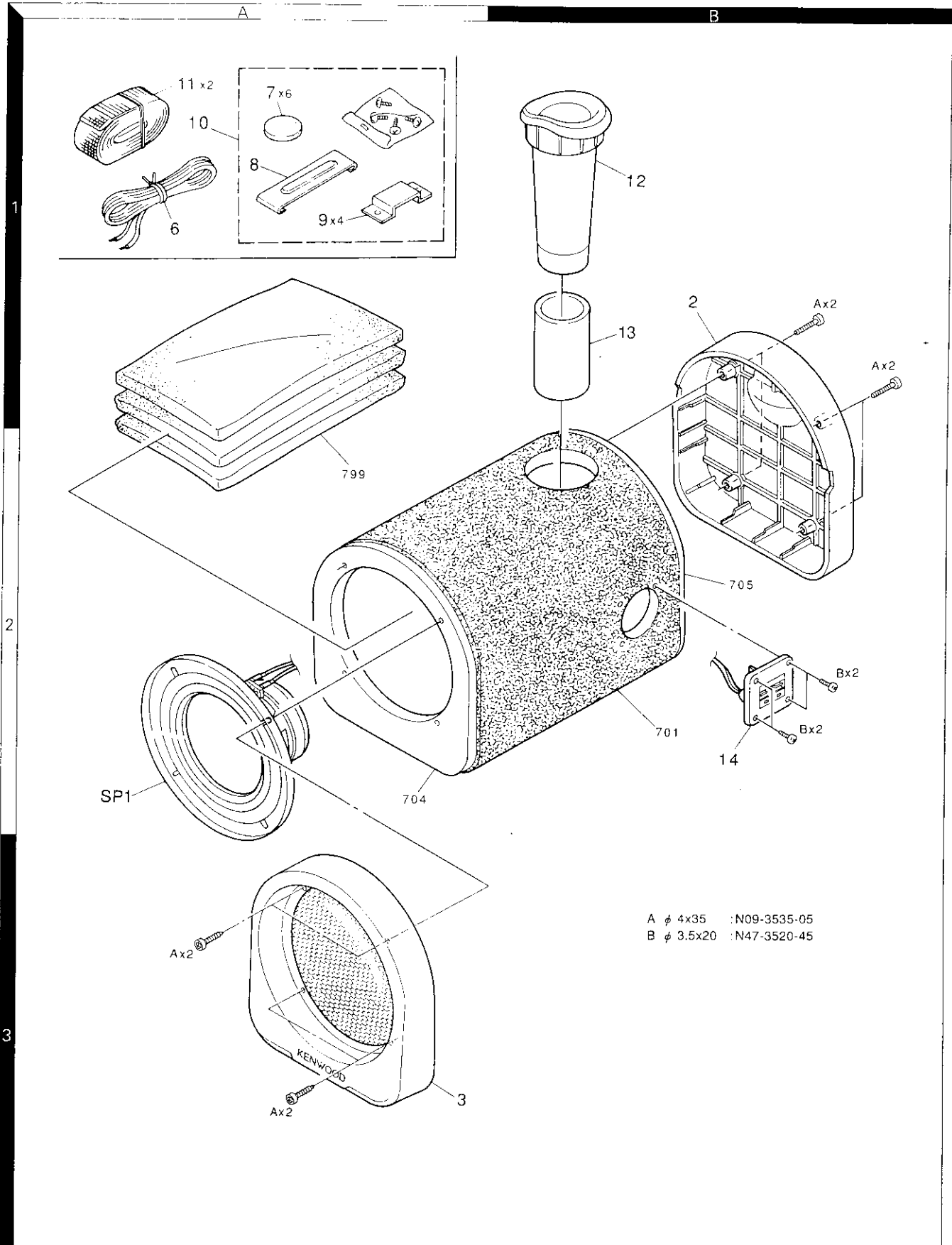
Net weight (PC) W/GR 5.8 kg (12.79 lbs)
Gross weight 6.8 kg (15 lbs)

Special features

Speaker 1 set
Speaker cable 4 m x 1 pc (J, M only)
Belt 2 pcs
Mounting hard ware 1 set
Weight of magnet (woofer) 330 g (11.6 oz)

KSC-W800

EXPLODED VIEW (UNIT)



PARTS LIST

* New Parts

Parts without Parts No. are not supplied.


Les articles non mentionnés dans le Parts No. ne sont pas fournis.

Teile ohne Parts No. werden nicht geliefert.

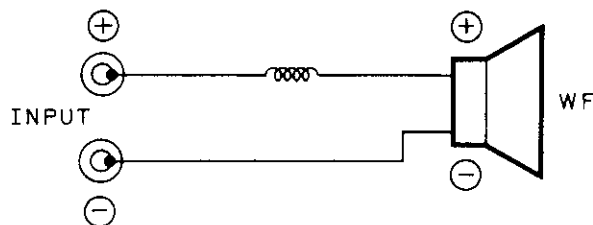
Ref. No. 参照番号	Address 位置	New Parts 新	Parts No. 部品番号	Description 部品名 / 規格	Desti- nation 仕向	Re- marks 備考
KSC-W800						
2	1B	*	A21-2299-05	REAR PANEL		
3	3A	*	A21-2804-05	FRONT PANEL ASSY		
-			B46-0100-20	WARRANTY CARD		
-		*	B61-0566-00	INSTRUCTION CARD		
6	1A	*	E30-5157-05	SPEAKER CABLE	M	
7	1A	*	G53-1109-05	PACKING		
-		*	H10-6055-05	POLYSTYRENE FOAMED FIXTURE		
-		*	H25-0083-04	POLY BAG		
-		*	H51-0274-00	ITEM CARTON CASE	K	
-		*	H51-0291-00	ITEM CARTON CASE	EPM	
8	1A	*	J21-8122-05	HARDWARE FIXTURE		
9	1A	*	J21-8135-05	MOUNTING BRACKET		
10	1A	*	J21-8138-05	MOUNTING HARDWARE ASSY		
11	1A	*	J61-0224-05	BAND		
A	3A, 1B		N09-3535-05	SCREW		
B	2B		N47-3520-45	SCREW		
12	1B	*	T99-0380-05	DUCT		
13	1B	*	T99-0385-05	PORT TUBE		
SP1	2A	*	T10-0585-05	LOUDSPEAKER(WOOFER)		
14	2B	*	X21-6330-10	DIVIDING NETWORK UNIT		

E: Europe W: Without Europe P: Canada X: Australia

K: U.S.A. and Canada M: Without Europe, U.S.A. and Canada

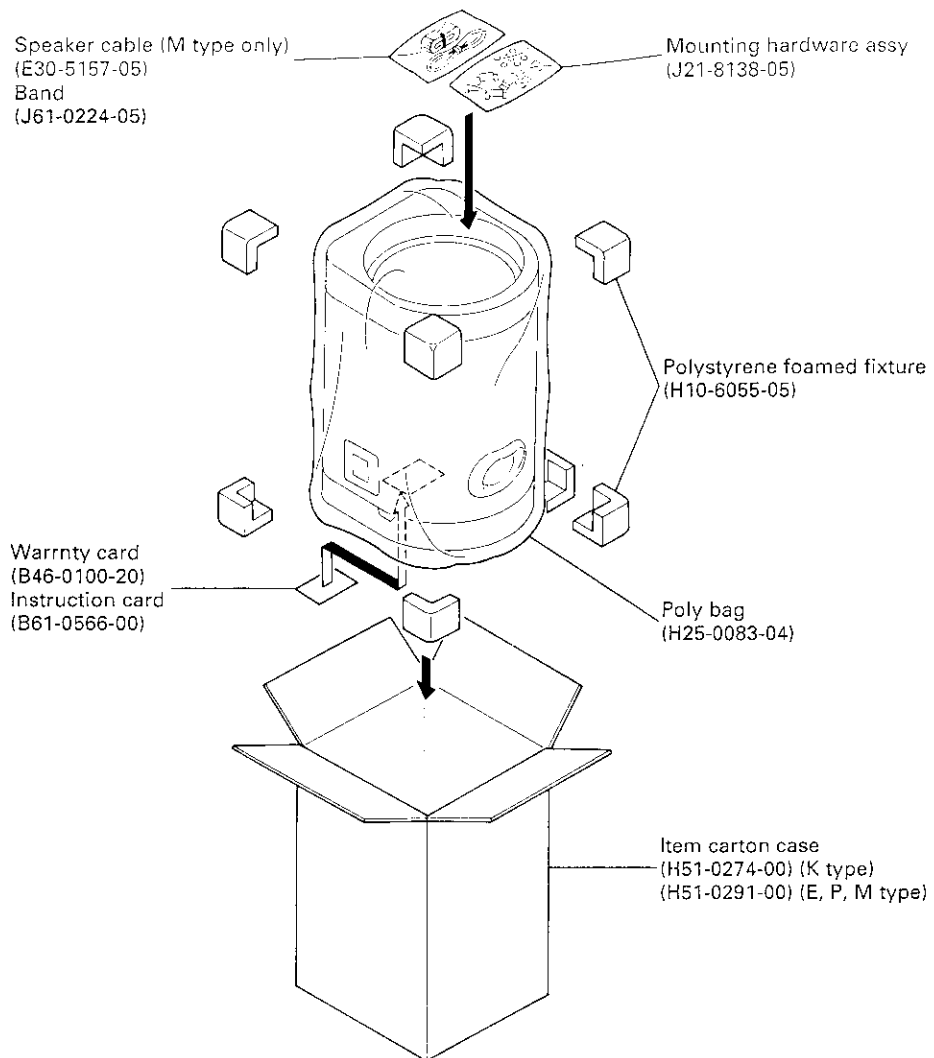
 indicates safety critical components.

SCHEMATIC DIAGRAM



KSC-W800

PACKING



KENWOOD CORPORATION

Alive Mitake, 2-5, 1-chome Shibuya, Shibuya-ku, Tokyo 150, Japan

KENWOOD U.S.A. CORPORATION

CONSUMER ELECTRONICS GROUP

P.O. BOX 22745, 2201 East Dominguez St., Long Beach, CA 90810, U.S.A.

550 Clark Drive, Mount Olive, New Jersey 07828, U.S.A.

99-994 Iwaena St. Aiea, Hawaii 96701

KENWOOD ELECTRONICS CANADA INC.

6070 Kestrel Road, Mississauga, Ontario, Canada L5T 1S8

KENWOOD ELECTRONICS LATIN AMERICA S.A.

P.O. BOX 55-2791, Piso 6 Plaza Chase, Cl. 47 y Aquilino de la Guardia, Panama, Republic of Panama

TRIO-KENWOOD U.K. LIMITED

KENWOOD House, Dwight Road, Watford, Herts., WD1 8EB United Kingdom

KENWOOD ELECTRONICS BENELUX N.V.

Mechelsesteenweg 418 B-1930 Zaventem, Belgium

KENWOOD ELECTRONICS DEUTSCHLAND GMBH

Rembrücker-Str. 15, 6056 Heusenstamm, Germany

TRIO-KENWOOD FRANCE S.A.

13 Boulevard Ney, 75018 Paris, France

KENWOOD LINEAR S.p.A.

20125, Milano-via Arbe, 50, Italy

KENWOOD ESPAÑA S.A.

Bolivia, 239-03020 Barcelona, Spain

KENWOOD ELECTRONICS AUSTRALIA PTY. LTD. (A.C.N. 001 493 074)

P.O. BOX 504, 8 Figtree Drive, Australia Centre, Homebush, N.S.W. 2140, Australia

KENWOOD & LEE ELECTRONICS, LTD.

Unit 3712-3724, Level 37 Tower 1, Metroplaza, 223 Hing Fong Road, Kwai Fong N.T. Hong Kong

KENWOOD ELECTRONICS SINGAPORE PTE LTD.

No. 1 Genting Lane #07-00, Singapore, 1334